

## RCMB132-01

AC/DC sensitive residual current monitoring module  
for measuring AC and DC currents up to  $\pm 100$  mA



# RCMB132-01

AC/DC sensitive residual current monitoring module  
for measuring AC and DC currents up to  $\pm 100$  mA



RCMB132-01

## Device features

- AC/DC sensitive leakage and fault current monitoring for preventive maintenance
- High resolution for implementing equipment leakage current monitoring
- Measured value and alarm transmission via Modbus RTU (RS-485)
- Frequency range DC...2 kHz
- Compact design for monitoring nominal loads up to  $I_n = 32$  A
- Low load current sensitivity due to fully shielded measuring current transformer
- Continuous monitoring of the connection to the measuring current transformer
- Integrated test function
- Supply voltage DC 12...24 V

## Product description

The AC/DC sensitive residual current monitoring module monitors electrically earthed power supplies up to 300 V and connected loads up to nominal currents of 32 A for leakage and fault currents.

The module is intended for installation in distribution equipment such as PDUs (Power Distribution Units), outlet boxes or multiple socket-outlets and is supplied with DC 2...24 V.

## Applications

The RCMB132-01 is designed for installation in PDUs and outlet boxes. The module can communicate with a master via an RS-485 interface via Modbus RTU. It is possible to connect several devices in a daisy chain. For this purpose, the RCMB132-01 provides two identical connectors for RS-485 (incl. power supply).

## Functional description

The RCMB132-01 is used to measure residual currents and output the values via an interface. The residual current monitoring module measures both AC and DC currents. The rms value is calculated from the DC component included in the residual current and the AC component below 2000 Hz. The RCMB132-01 continuously checks the connection of the internal measuring current transformer.

Via the RS-485 interface

- a signal proportional to the rms value is transmitted (measured value update every 180 ms)
- alarm messages are signalled
- response values are configured
- a functional test can be started

The existing switching outputs S1 and S2 switch to alarm state when the set response value is exceeded or a malfunction occurs.

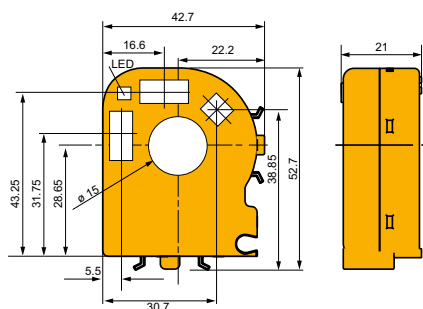
**i** When S2 (rms) switches, S1 (DC) is also switched simultaneously.

## Ordering details

Measuring range	Supply voltage $U_s$	Type	Art. No.
AC/DC	DC		
$\pm 100$ mA	12...24 V	RCMB132-01	B94042136
		Mounting foot MCCT20	B91080111

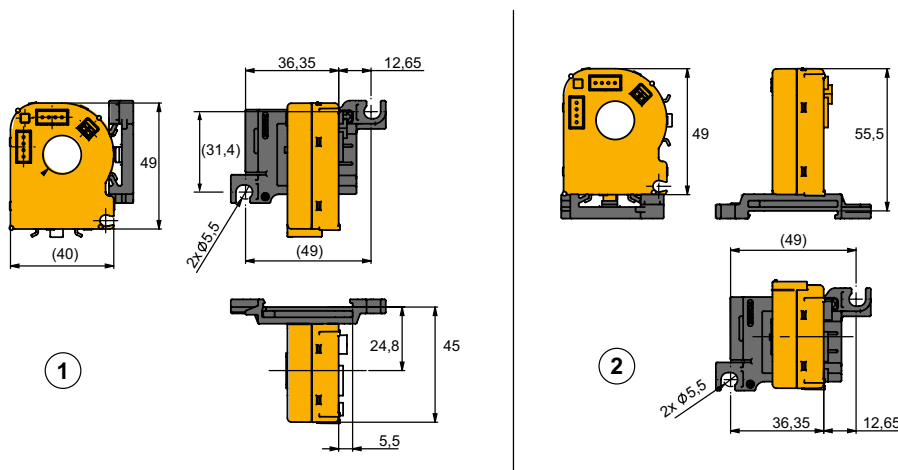
## Dimension diagram

Dimensions in mm

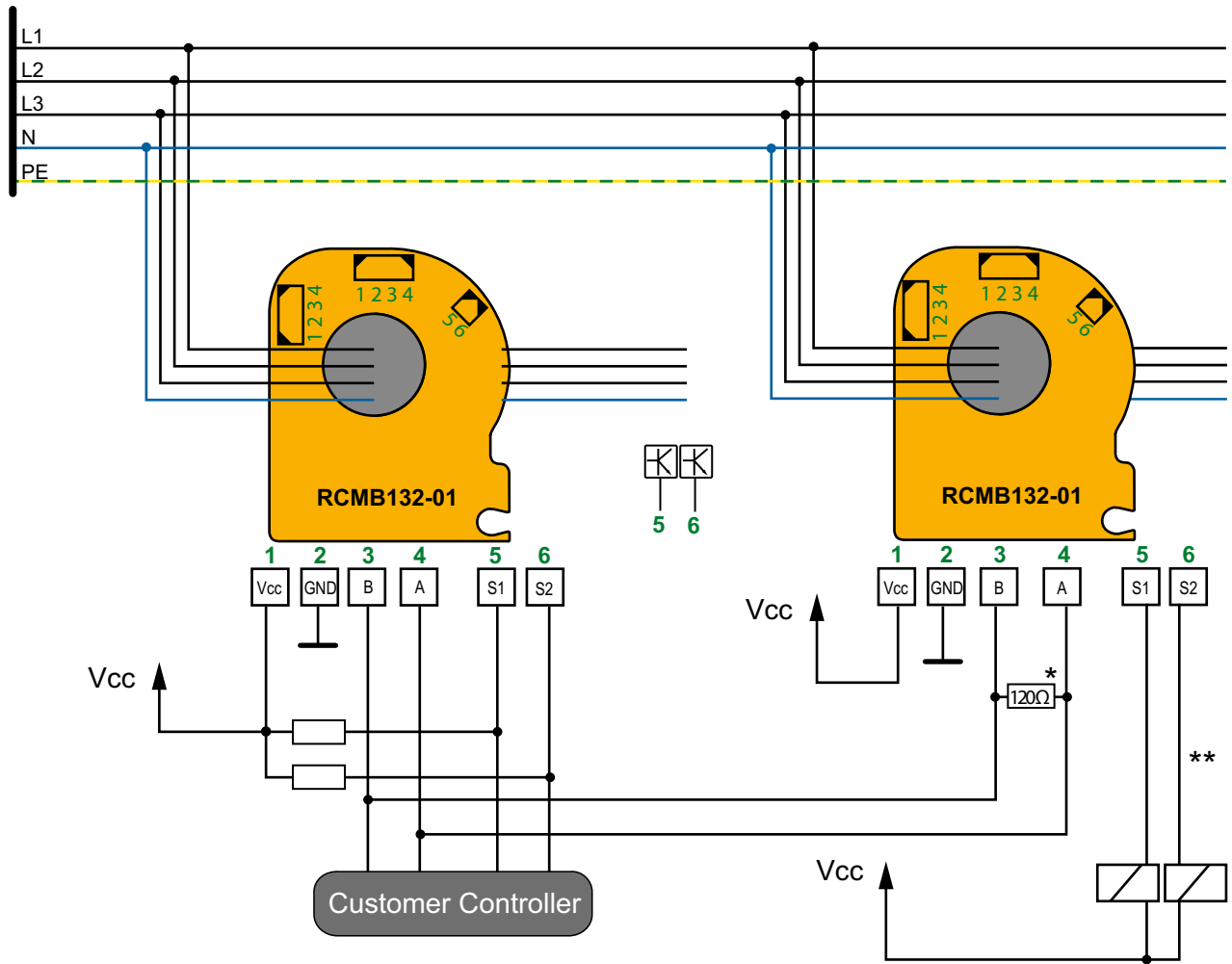


## Rail mounting

with mounting foot MCCT20 (accessories, see ordering data)

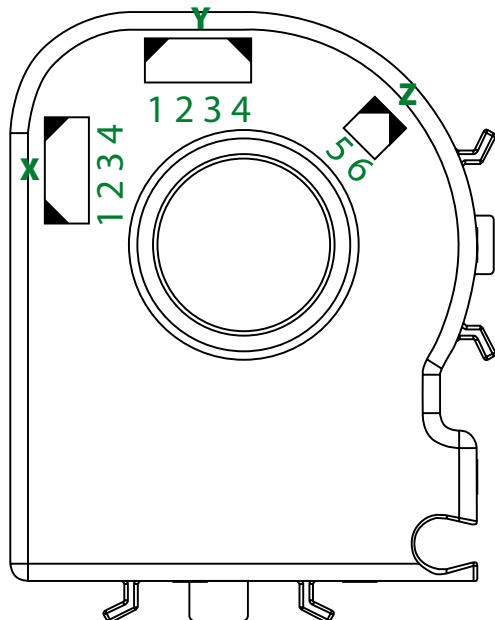


Wiring diagram



- \* Terminating resistor 120 Ω must only be set on the last device in the RS-485 bus chain
- \*\* An external protective circuit is especially required for inductive loads.

Pin assignment



Pin	Name	Description
X1, Y1	Vcc	Supply voltage (DC 12...24V)
X2, Y2	GND	Ground
X3, Y3	B	RS-485-B
X4, Y4	A	RS-485-A
Z5	S1	Switching output 1 (DC)
Z6	S2	Switching output 2 (rms)

The two four-pole connections **X** and **Y** are designed as combinations of sockets and plugs, the two-pole connection **Z** as a push-in terminal.

## Technical data

### Insulation coordination according to IEC 60664-1

Primary circuit	monitored primary conductors
Secondary circuit	Connections Vcc, GND, A, B, S1, S2
All following specifications apply to the insulation between the primary and secondary circuit	
Rated voltage	300 V
Overtension category	III
Rated impulse voltage	4 kV
Operating altitude	up to 3000 m AMSL
Rated insulation voltage	320 V
Pollution degree	2
Safe separation (reinforced insulation)	between primary and secondary circuit
Voltage test acc. to IEC 61010-1	AC 2.2 kV

### Voltage supply

Supply voltage $U_S$	DC 12...24 V
Operating range of the supply voltage	$\pm 20\%$
Ripple	100 mV
Power consumption	< 0.75 W

### Measuring circuit

Internal diameter primary conductor opening	15 mm
Measured value evaluation	DC, rms
Measuring range	AC/DC $\pm 300$ mA
Characteristics according to IEC 60755	AC/DC sensitive, type B
$I_{\Delta n1}$	
Response value	DC 3.5...100 mA (* 6 mA)
Response tolerance	0.7...1.0 x $I_{\Delta n1}$
$I_{\Delta n2}$	
Response value	rms 3.5...100 mA (* 30 mA)
Response tolerance	
DC...1 kHz	0.7...1.0 x $I_{\Delta n2}$
1...2 kHz	1.0...2.0 x $I_{\Delta n2}$
Output range	0...100 mA (rms)
Resolution	< 0.2 mA
Frequency range	DC...2 kHz
Measuring time	180 ms

### Operating uncertainty

DC...500 Hz	$\pm(5\% + 0.5 \text{ mA})$
501...1000 Hz	$\pm(15\% + 0.5 \text{ mA})$
1...2 kHz	$-(50\% \pm 0.5 \text{ mA})$

### Time response

Response time $t_{ae}$ (relay switching time of 10 ms considered)	
for 1 x $I_{\Delta n}$	$\leq 290$ ms
for 2 x $I_{\Delta n}$	$\leq 140$ ms
for 5 x $I_{\Delta n}$	$\leq 30$ ms
Recovery time $t_b$	$\leq 2$ s

### Disturbances

Load current $I_n$	32 A
--------------------	------

### Response value assignment

$I_{\Delta n1}$ (DC)	S1
$I_{\Delta n2}$ (rms)	S2

### Outputs

Interface	RS-485
Protocol	Modbus RTU
Switching outputs	Open Collector, not short-circuit-proof
Switching capacity	40 V / 50 mA
Output voltage LOW level	0...0.6 V
Output voltage HIGH level	3.1...3.6 V
Hysteresis	$\leq 30\%$

### Environment/EMC

EMC	DIN EN 62020:2003 (VDE 0663), where applicable
Ambient temperature (incl. primary conductors routed through module)	-25...+70 °C

### Classification of climatic conditions acc. to IEC 60721

Stationary use (IEC 60721-3-3)	3K5 (except condensation and formation of ice)
Transport (IEC 60721-3-2)	2K11 (except condensation and formation of ice)
Long-term storage (IEC 60721-3-1)	1K22 (except condensation and formation of ice)

### Classification of mechanical conditions acc. to IEC 60271

Stationary use (IEC 60721-3-3)	3M4
Transport (IEC 60721-3-2)	2M4
Long-term storage (IEC 60271-3-1)	1M12

### Other

Operating mode	continuous operation
Mounting	any position
Protection class	IP 30
Flammability rating	UL94 V-0
Service life at 70 °C acc. to IEC 61709	20 years
Software	D0604
Plug (included in scope of delivery)	Phoenix Contact, PTSM 0.5/4-P-2.5
Documentation number	D00356

\* = factory settings



## Bender GmbH & Co. KG

P.O. Box 1161 • 35301 Grünberg • Germany  
 Londorfer Straße 65 • 35305 Grünberg • Germany  
 Tel.: +49 6401 807-0 • Fax: +49 6401 807-259  
 E-mail: info@bender.de • www.bender.de



BENDER Group